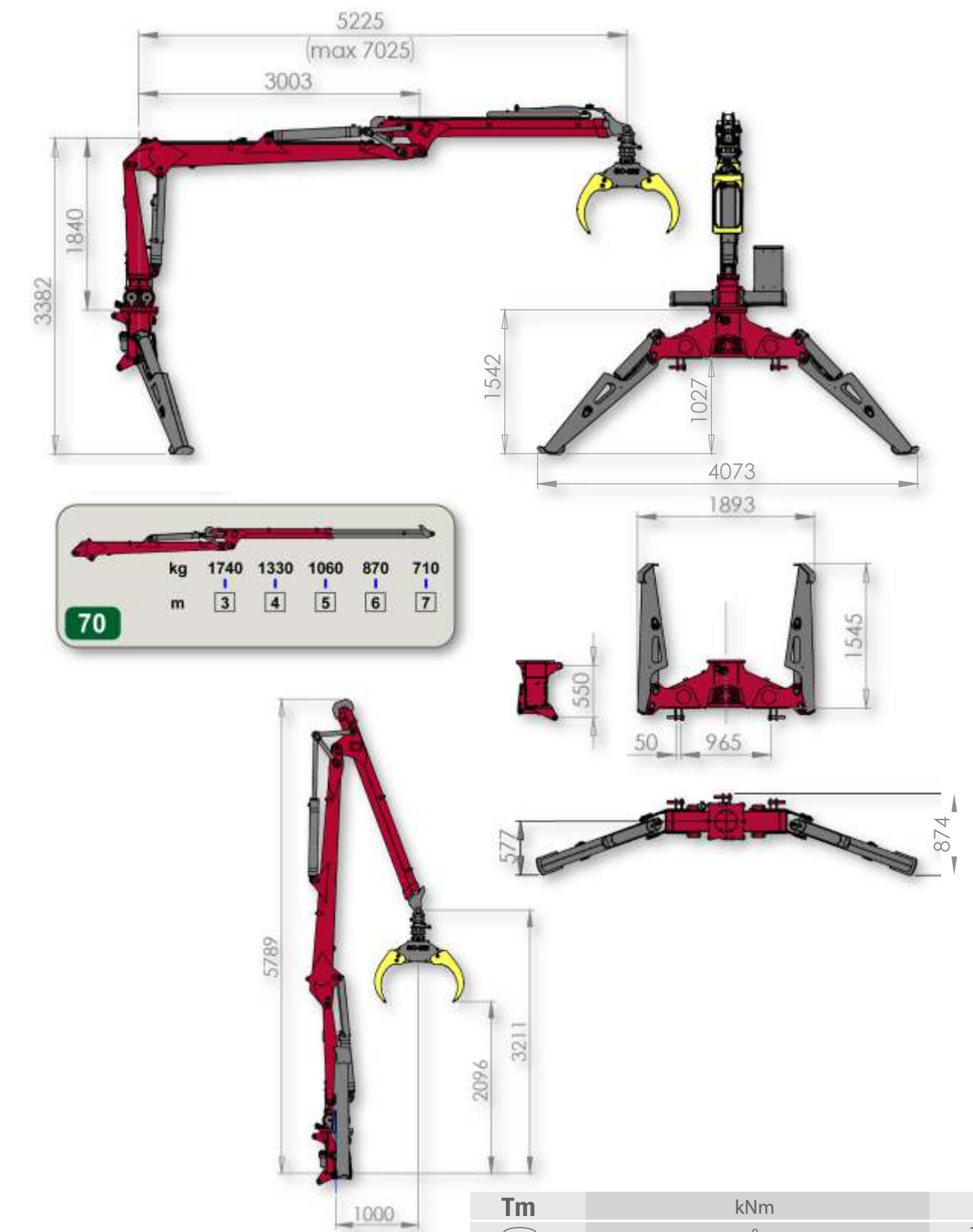


Tractor crane DOT 50K



- Off-road tractor crane with self-contained hydraulic system
- With a link drive and three-point coupling of category II or III
- The possibility of fixed mounting to a forestry trailer
- 7m of reach
- Option: oil cooler
- 80l oil reservoir, integrated into the base
- Electro-joystick control



A suspended pump with built in multiplier.



A handle for carrying / coupling / uncoupling to or from the tractor.



A universal holder that protects the multiplier's aluminium housing and enables gearbox installation in both possible vertical settings.



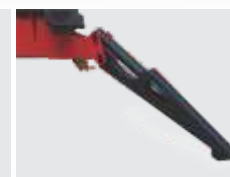
Pressure and return filter for ensuring the required purity of oil in the hydraulic system.



A robust turning system with two racks and four cylinders.



Robust stabilizer legs ensure a stable setting even on an uneven work terrain.



Stabilizer cylinders with integrated brake valves.



A four-joint "K" mechanism on the restraint between the lifting and the swinging arm provides for excellent work characteristics of the crane.



Excellent geometry of the boom mechanism.



A special version of the telescoping arm for increased reach.



Lifting cylinder protection.



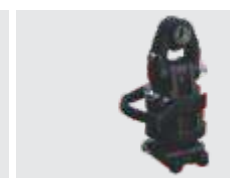
All pipes on the boom mechanism are installed on top for maximum protection.



8-section electro-proportional hydraulic valve allows precise control with control console.



Option: G-Pro joysticks with an innovative mini-joystick for accurate and tireless control. A safety stop-key in the middle.



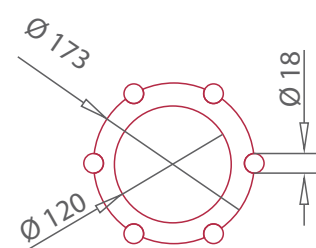
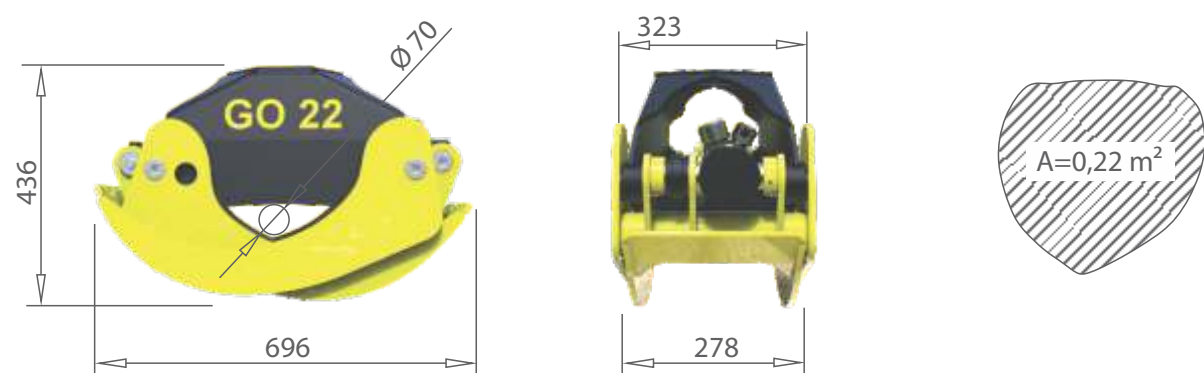
A 4.5 t rotator with endless rotation provides high capability.



Grapple GO 22 is standard equipment, grapple GO-026X is option.

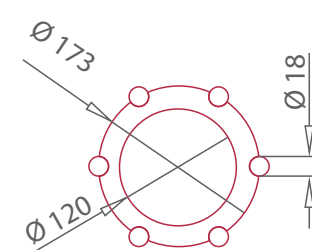
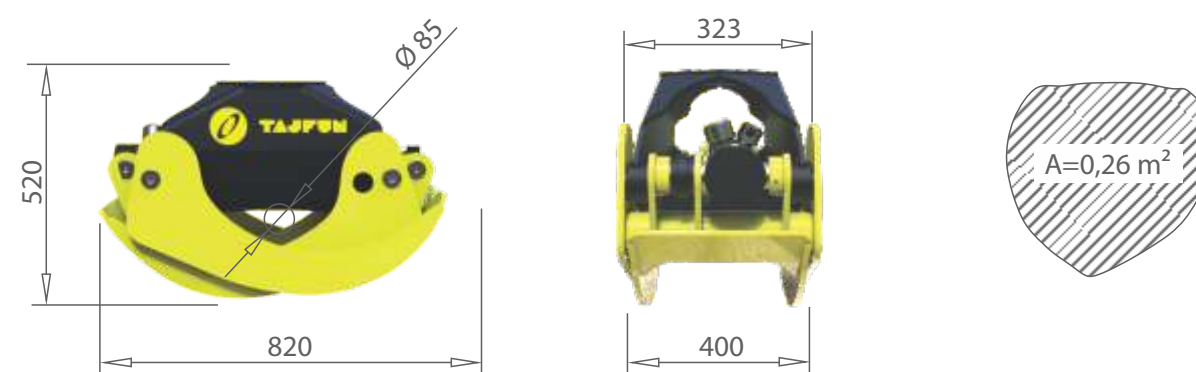
Tm	kNm	52
⊙	°	390
Q	l/min (anbefalt 300 - 350 rpm)	40
EQ	l/min (max 540 rpm)	68
IE	mpa	21
H _{max}	mm	7025
H	kNm	19
H	mm	1800
H	kg	1450
⊂	Standard equipment	GO 22
⊂	Optional equipment	GO-026X

Grapple GO 22



Weight [kg]	Load [kN]	Clamping force with open grapple 21 Mpa [kN]	Clamping force with semi-open grapple 21 Mpa [kN]	Operating pressure [Mpa]
100	30	10	12,5	21

Grapple GO-026X



Weight [kg]	Load [kN]	Clamping force with open grapple 21 Mpa [kN]	Clamping force with semi-open grapple 21 Mpa [kN]	Operating pressure [Mpa]
155	40	10	14	21

